

XX SERIES | GORTRAC[®] STEEL (open-style carriers)



Aluminum Round Bar (XX6-RB)



Poly Roller over Round Bar (XX6-PR)



Aluminum Flat Bar (XX6-AF)

PART NUMBER CONFIGURATION:

Model XX6	Bar Style RB	Bar Width 6.25	Height 470	Separators 1	Length 147.60	Bracket (fixed) #1IN	Bracket (moving) #1IN
--------------	-----------------	-------------------	---------------	-----------------	------------------	-------------------------	--------------------------

Following above example, add dashes. Part number = **XX6-RB-6.25-470-1-147.60-#1IN-#1IN**

Bar width is specified in inches, to two decimals.

Separators per link specified; use '0' for none.

Carrier Length (between flanges) is specified to two decimals in inches. Total number of links depends on pitch length.

Specify arrangement # and mounting hole direction (IN or OUT) each bracket.

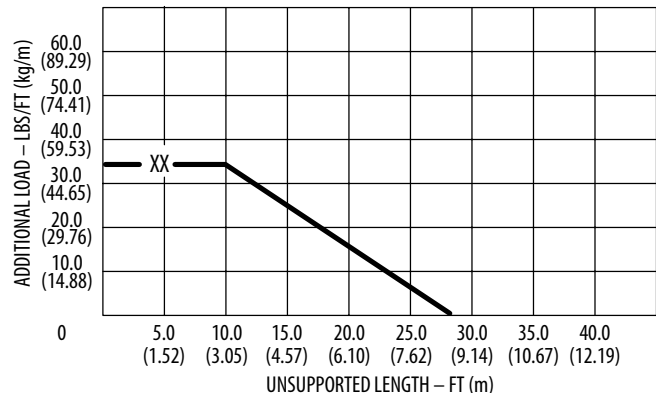
SPECIFICATIONS

MODEL	BAR STYLE*	A inches (mm)	C inches (mm)	U (USABLE CAVITY WIDTH) inches (mm)	WEIGHT lb/ft (kg/m)
XX6	AF / RB / PR / MC / FC	Customer Specified	A + 0.81 (21)	A - 0.38 (10)	13.00 (19.35)

*Bar Styles: AF = Bolted Aluminum Flat Bar RB = Bolted Aluminum Round Bar PR = Poly Roller over Bolted Aluminum Round Bar
MC = Machined Carrier Bar (Custom) FC = Formed Channel Bar (Custom)

HEIGHT	R inches (mm)	H inches (mm)	K inches (mm)	CL inches (mm)
260	10.00 (254)	26.00 (660)	20.36 (517)	45.46 (1155)
375	15.75 (400)	37.50 (953)	25.95 (659)	63.79(1620)
470	20.50 (521)	47.00 (1194)	30.73 (780)	78.81 (2002)
530	23.50 (597)	53.00 (1346)	33.88 (861)	88.28 (2242)
600	27.00 (686)	60.00 (1524)	37.31 (948)	99.32 (2523)

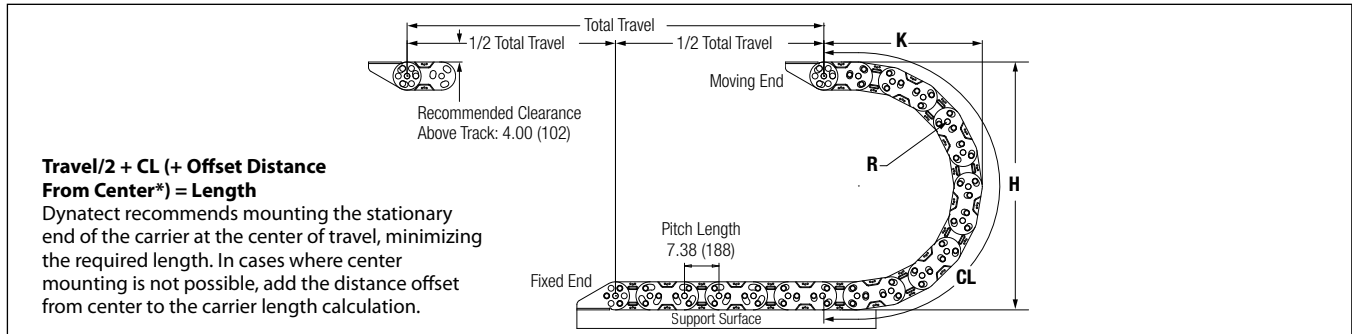
XX SERIES - WEIGHT LOAD



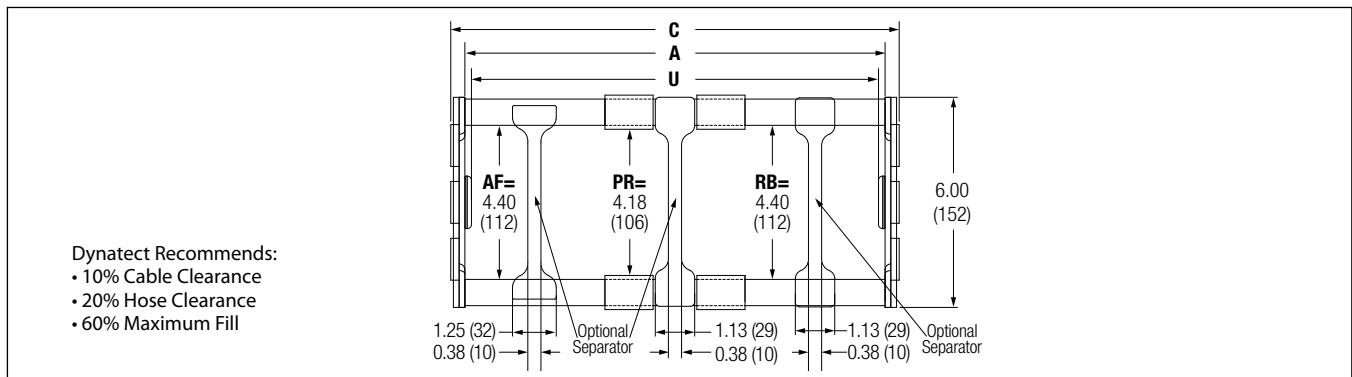
XX SERIES | GORTRAC[®] STEEL (open-style carriers)

CARRIER SIDE VIEW

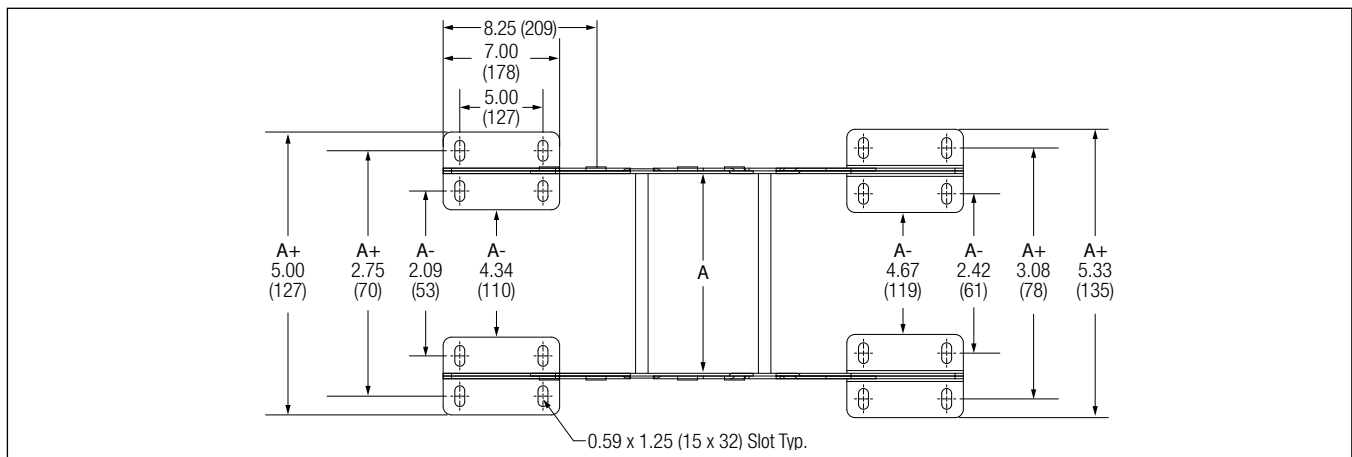
Dimensions in inches (mm)



CARRIER CROSS SECTION



TOP VIEW MOUNTING BRACKET



BRACKET ARRANGEMENTS

