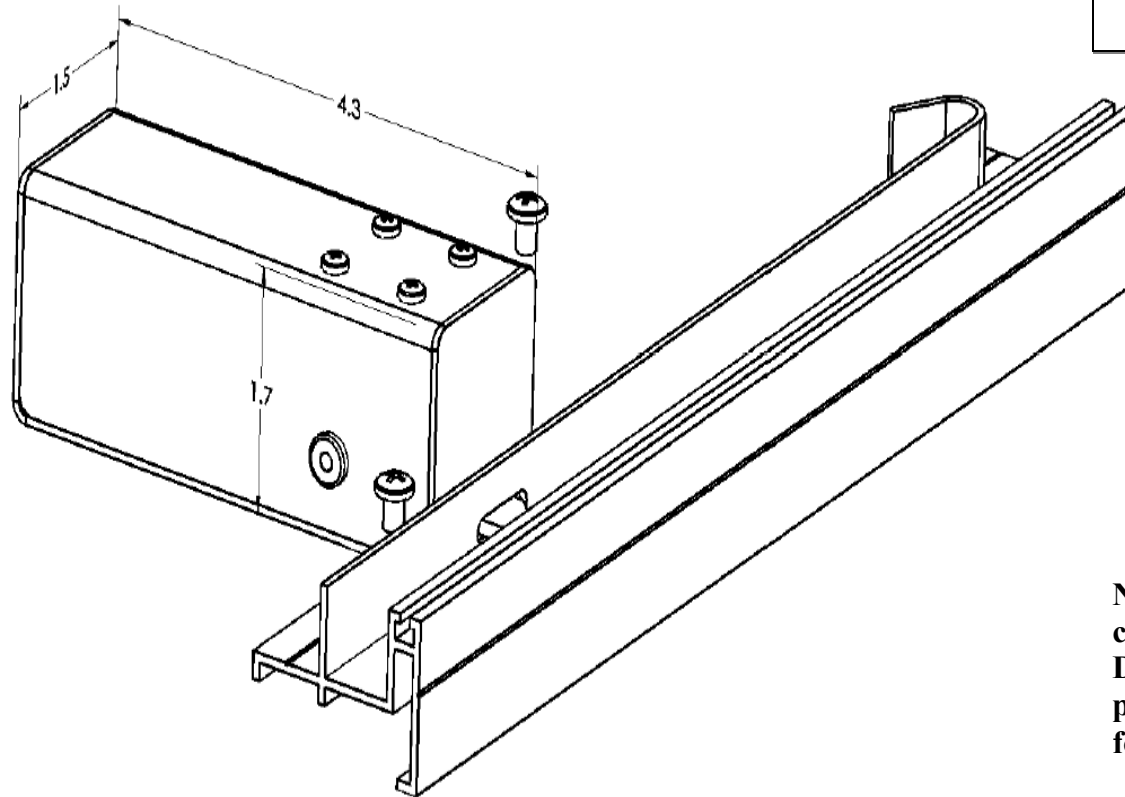


LOCK ACTUATION		
LOCK SLIDE POSITION	RED WIRE	YELLOW WIRE
OUT (LOCKED)	POSITIVE (+)	NEGATIVE (-)
IN (UNLOCKED)	NEGATIVE (-)	POSITIVE (+)

**POWER LOCK
INSTALLATION INSTRUCTIONS
FOR STANDARD & UNIVERSAL
TYPE SIDE RAILS**

Part No's : PDL-SU-R-1 (Shown)
PDL-SU-L-1



1. **Mount power lock unit using the provided mounting screws and tighten securely.**
2. **Check to ensure lock slide is centered in the side rail slot – it must move freely and not contact side rail.**
3. **Connect the wires and actuate to ensure proper lock/unlock orientation. Twelve (12) volts DC, 833 mA at 14.4 Ohms is required to operate power lock.**

Notes: Allow for clearance to the #10-32 compression nuts installed on side rail. Design allows for internal adjustments possible for better operation. Contact A for information.

DYNATECT[®]
DYNAMIC EQUIPMENT PROTECTION

Email: sales@Dynatect.com
Toll Free: 800-298-2066