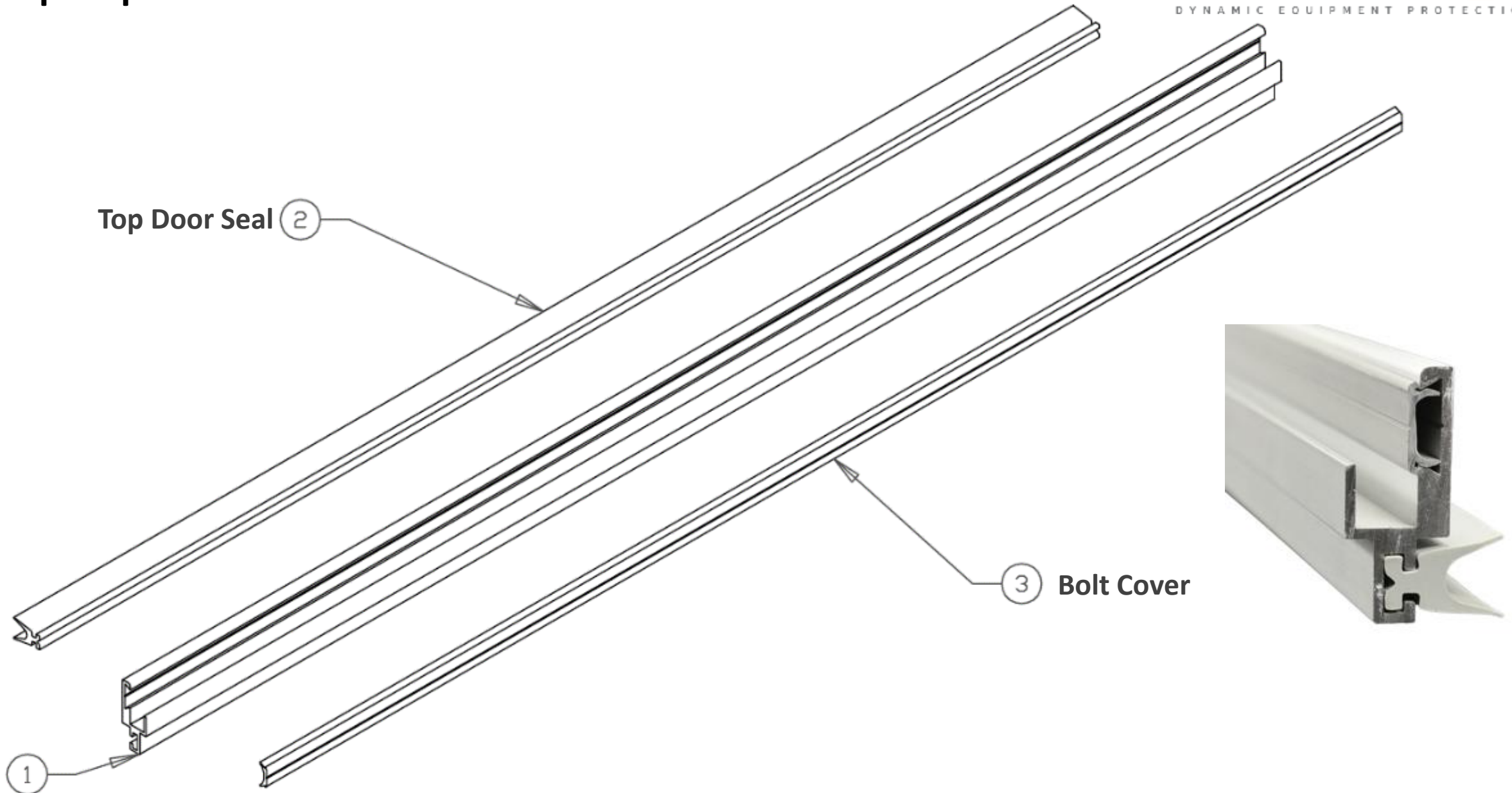


Top Drip Rail



Top Rail